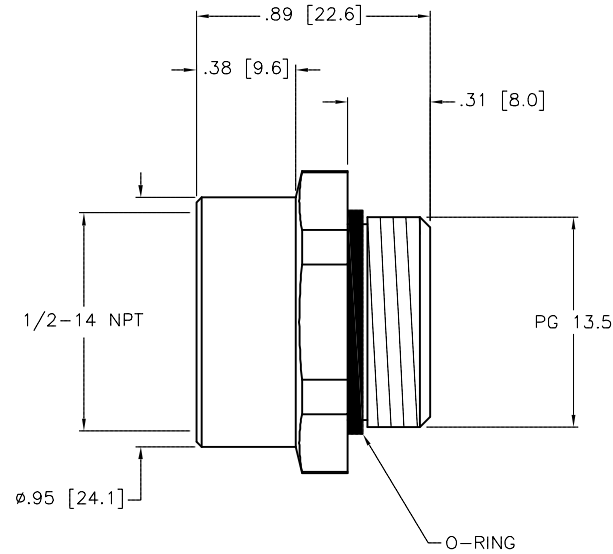
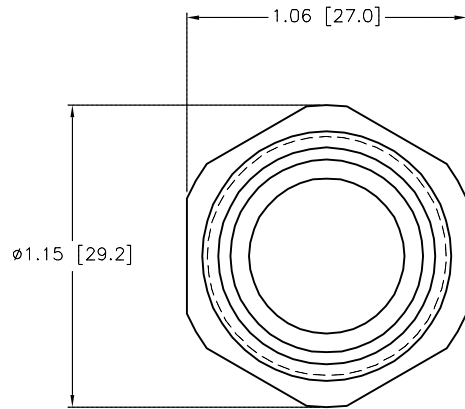



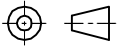
ISOMETRIC VIEW



SOURCE DRAWING - FOR REFERENCE ONLY

NOTES:

1. MATERIAL: AISI TYPE 303 STAINLESS STEEL.
2. PLATING: PASSIVATE PER ASTM A 967, NITRIC 2 (QQ-P-35, TYPE VI)

RELATED DOCUMENTS		3RD ANGLE PROJECTION		THIS DRAWING IS CONFIDENTIAL AND THE PROPERTY OF TURCK INC. USE OF THIS DOCUMENT WITHOUT WRITTEN PERMISSION IS PROHIBITED.		 3000 CAMPUS DRIVE MINNEAPOLIS, MN 55441 1-800-544-7769 (763) 553-7300 (763) 553-0708 fax www.turck.us	
1. 2. 3. 4.				DRFT	RWC	DATE	08/05/10
MATERIAL		ALL DIMENSIONS DISPLAYED ON THIS DRAWING ARE FOR REFERENCE ONLY		DSGN	AF	SCALE	1=.8
SEE NOTES		CONTACT TURCK FOR MORE INFORMATION		UNIT OF MEASUREMENT		DESCRIPTION	
FINISH		SEE NOTES		INCH [MILLIMETER]		TMF 13.5-14/SS	
A		DRAWING RELEASE		RWC		08/05/10	
REV		DESCRIPTION		BY		DATE	
						IDENTIFICATION NO.	
						A9639	
						REV	
						A	
						DO NOT SCALE THIS DRAWING	
						FILE: A9639	
						SHEET 1 OF 1	

A	DRAWING RELEASE	RWC	08/05/10	
REV	DESCRIPTION	BY	DATE	ECO NO.